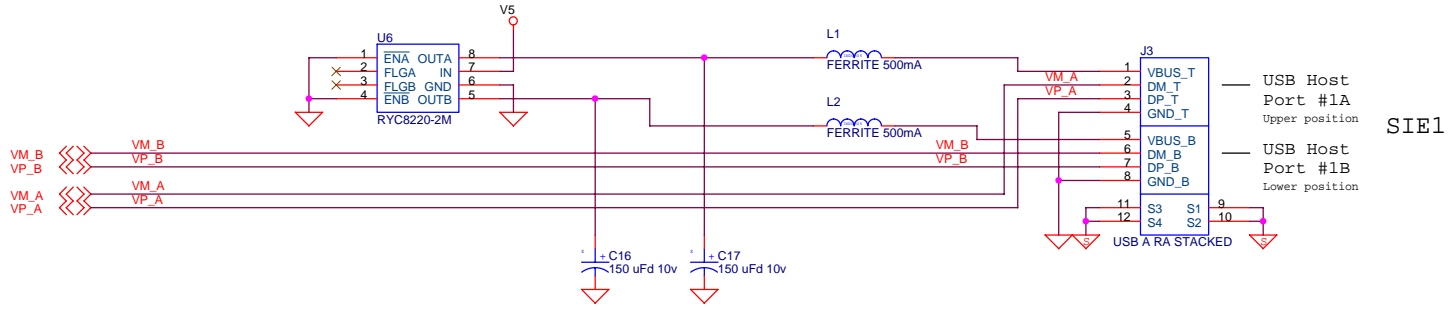


Simplified EZ-Host Mass Storage Example Schematic

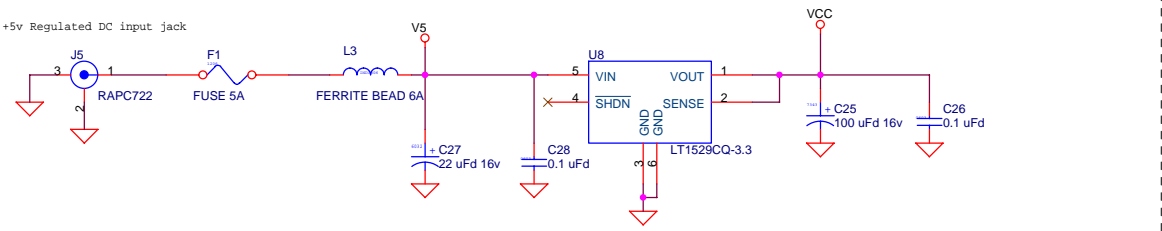
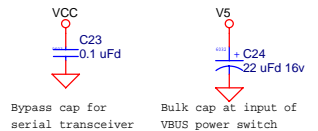
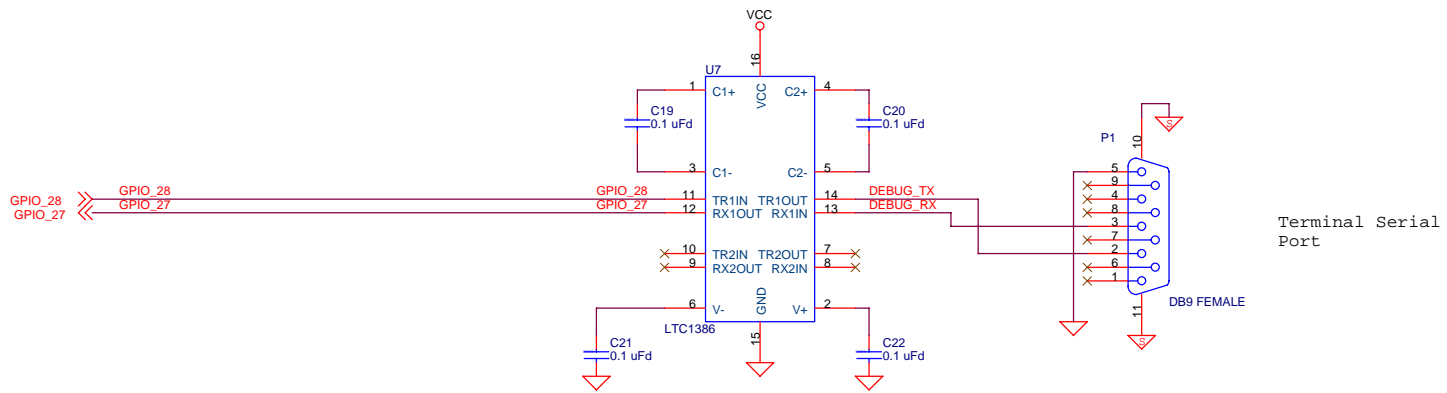
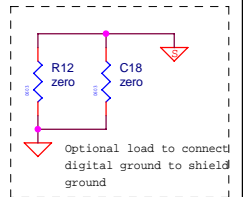
NOTE: Schematic has not been prototyped or validated

CYPRESS SEMICONDUCTOR © 2004		
File	Simplified EZ-Host Mass Storage: CY7C67300 Chip, Memory, IDE	
Size	Document Number	Rev
C	Simplified EZ-Host_MS_Example.dsn	0.1
Date	Monday, October 11, 2004	Sheet 1 of 2

PRELIMINARY



NOTE: All USB differential pairs should be routed as 90 ohm differential impedance.



POWER SUPPLY

Simplified EZ-Host Mass Storage Example Schematic

NOTE: Schematic has not been prototyped or validated

CYPRESS SEMICONDUCTOR © 2004		
Title: Simplified EZ-Host Mass Storage: USB Ports, Serial Port, Power Supply		
Size B	Document Number: Simplified EZ-Host_MS_Example.dsn	Rev 0.1
Date: Monday, October 11, 2004	Sheet 2 of 2	

PRELIMINARY